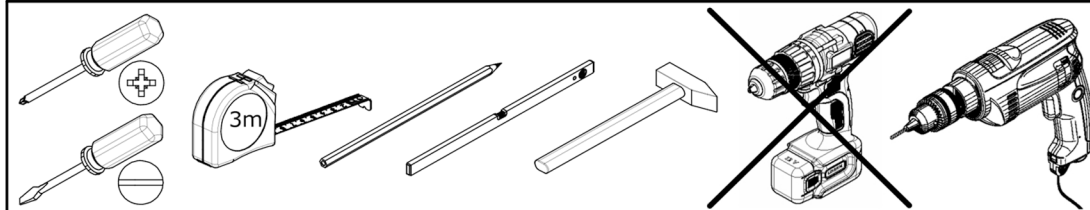
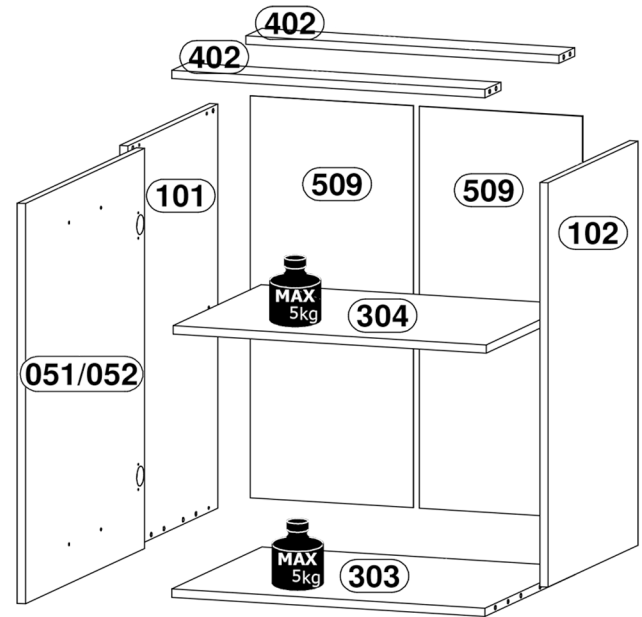
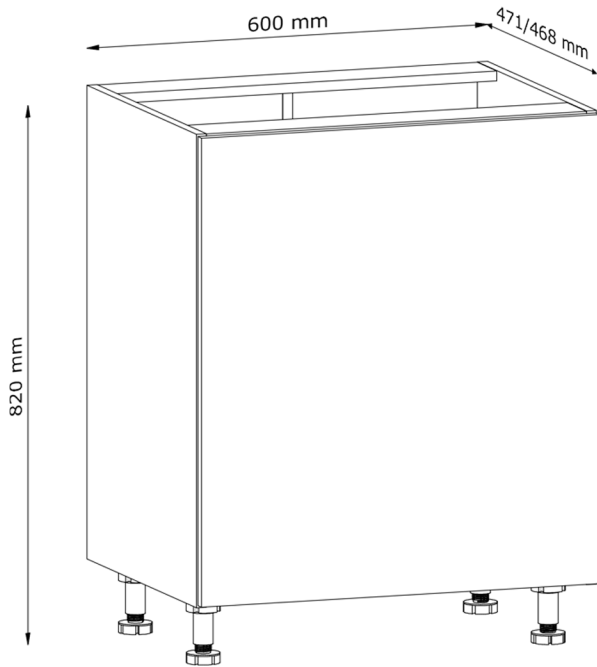
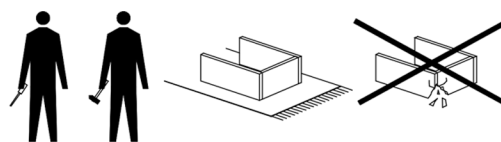


LANGEN

D60



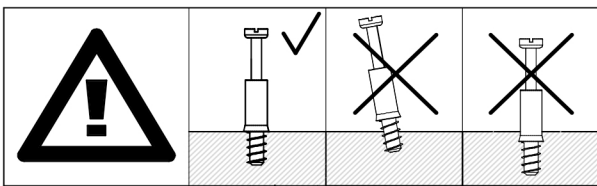
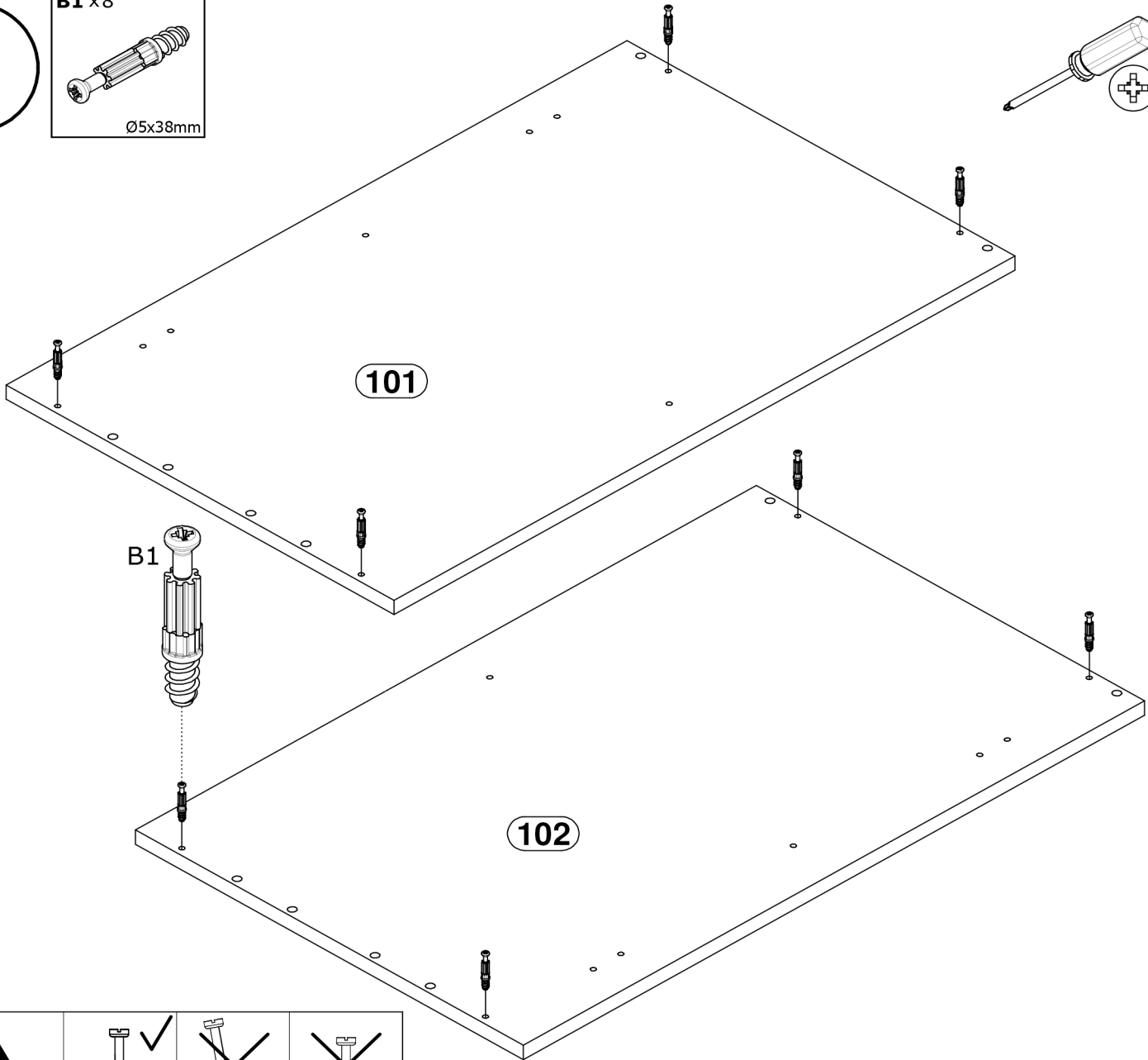
A1 x12 Ø8x35mm	B1 x8 Ø5x38mm	C1 x8 Ø15x12mm	E1 x4 Ø5x16mm	G1 x28 26mm
H4 x1 715mm	I20 x1 83x21x11mm	L1 x4 Ø50x95mm	U19 x1 300mm	W2 x22 Ø3,5x16mm
W5 x2 Ø4x30mm	Y1 x2 Ø8x1,5mm	Z1 x2 50x40, H=2	Z3 x2 Ø35, ZK0	



No.	L[mm]	W[mm]	H[mm]	PCS	BOX
051/052	713	596	15/18	1	2/2
101	720	450	15	1	1/2
102	720	450	15	1	1/2
303	570	450	15	1	1/2
304	570	440	15	1	1/2
402	570	80	15	2	1/2
509	716	297	2,5	2	1/2

1

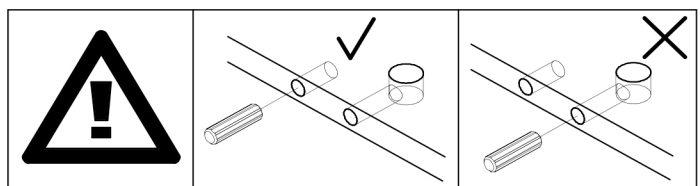
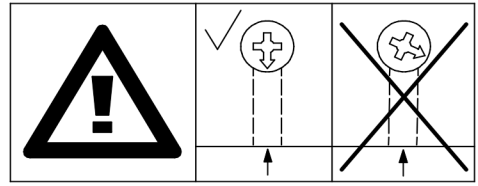
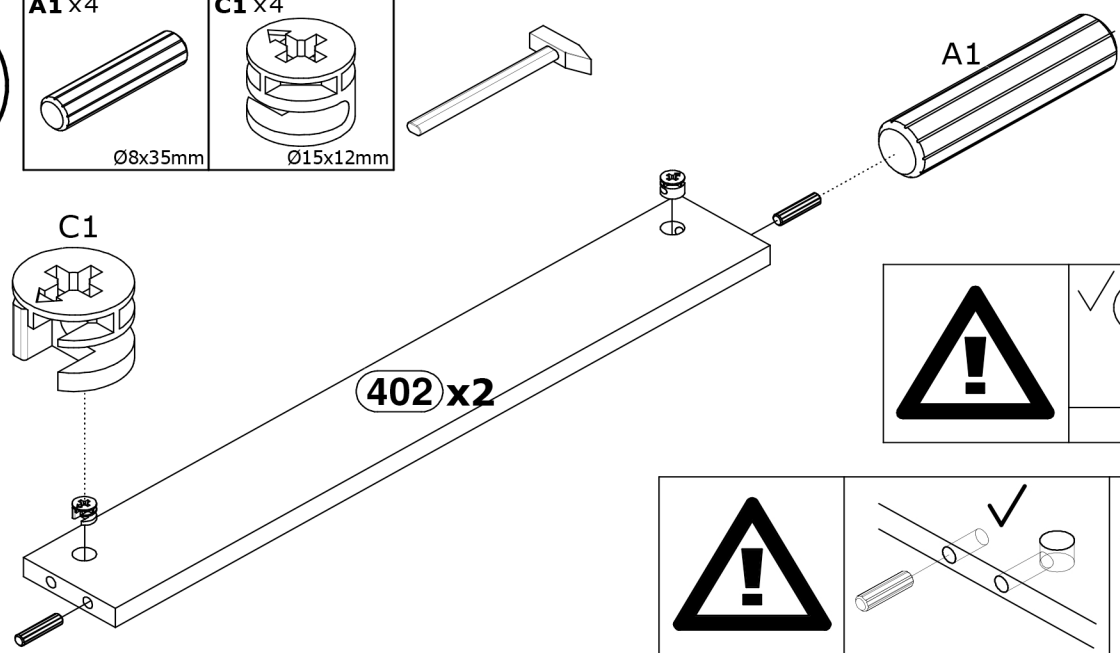
B1 x 8
Ø5x38mm



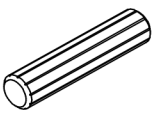
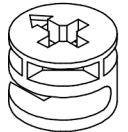
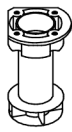
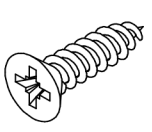
2

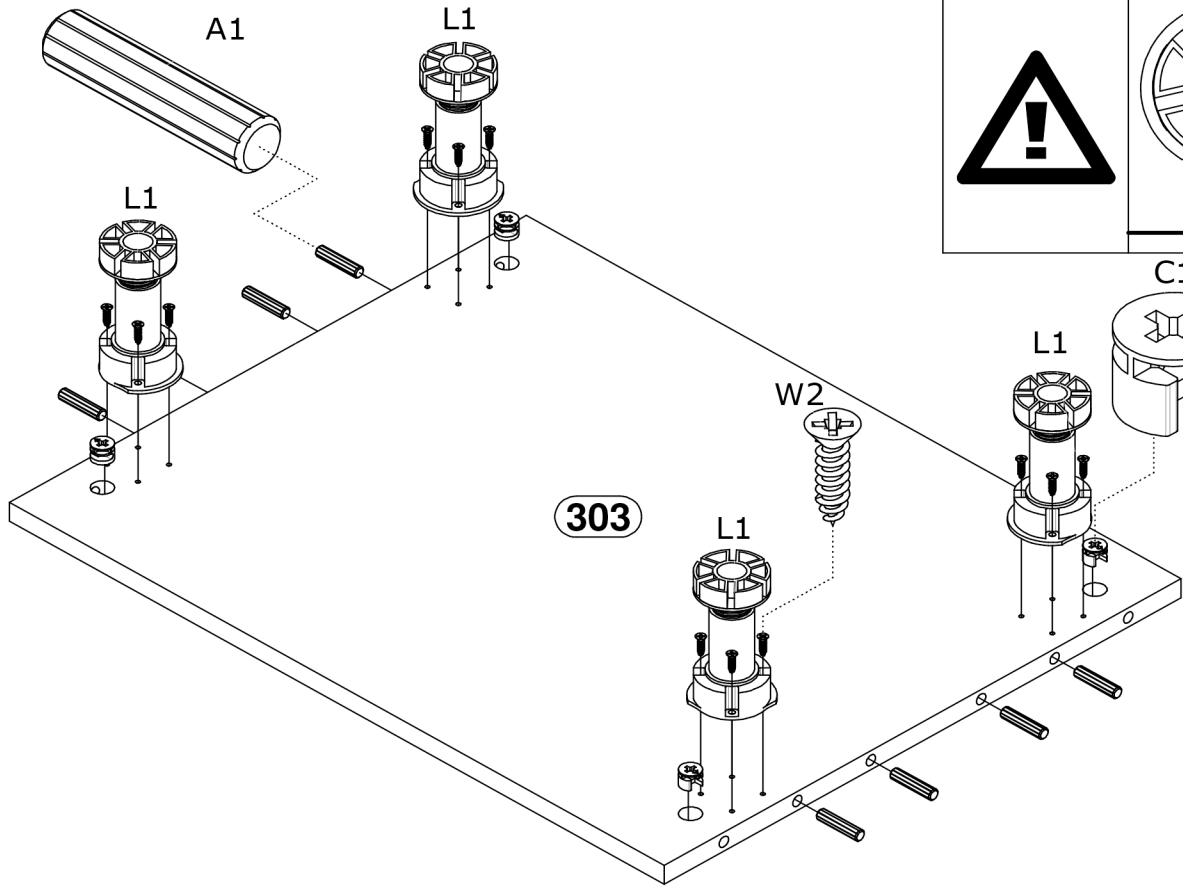
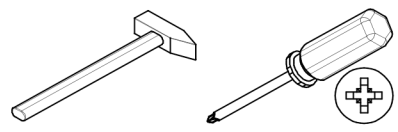
A1 x 4
Ø8x35mm

C1 x 4
Ø15x12mm

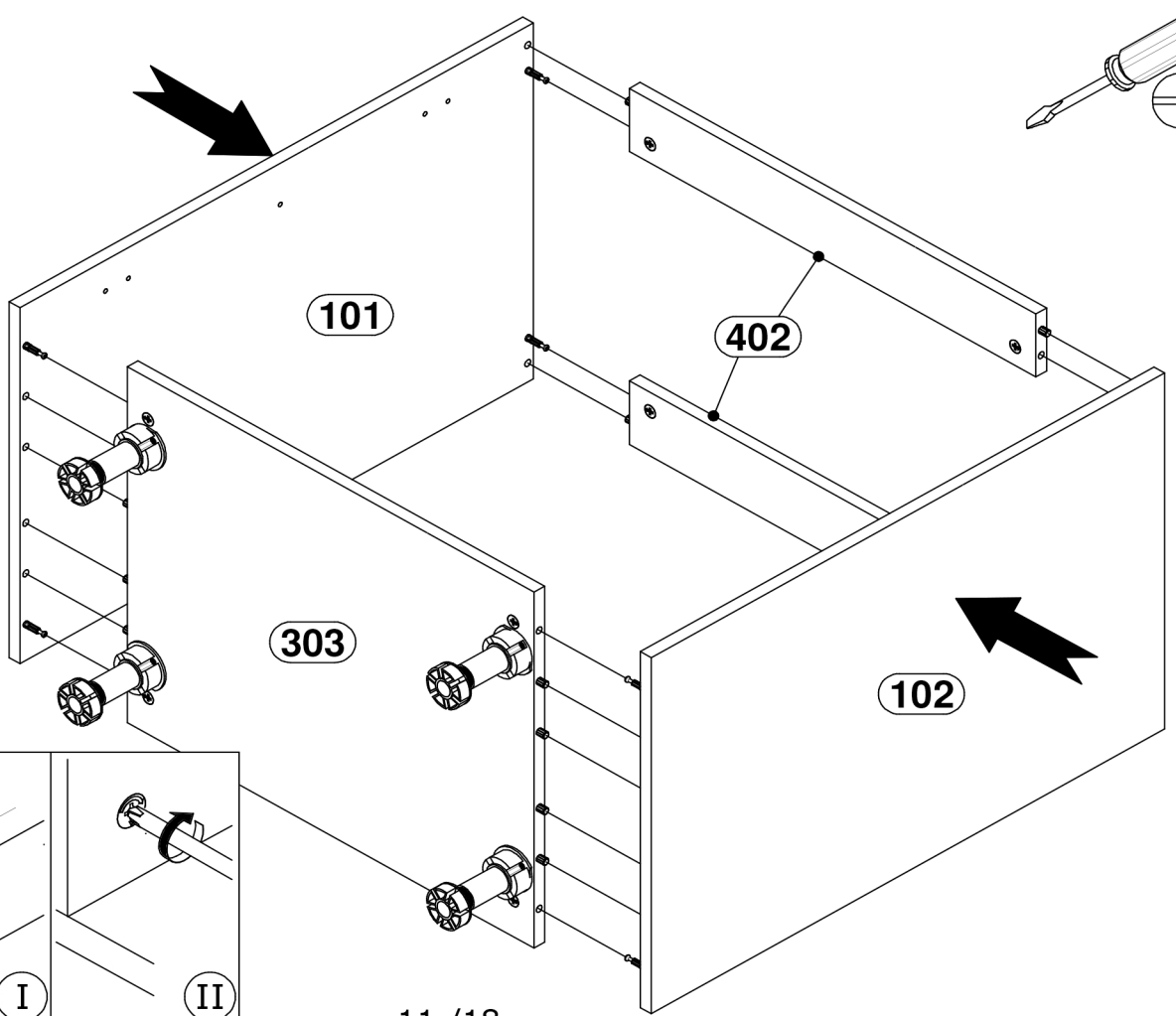


3

A1 x 8  Ø8x35mm	C1 x 4  Ø15x12mm	L1 x 4  Ø50x95mm	W2 x 16  Ø3,5x16mm
--	---	---	---

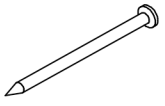


4



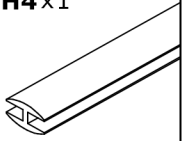
5

G1 x 28

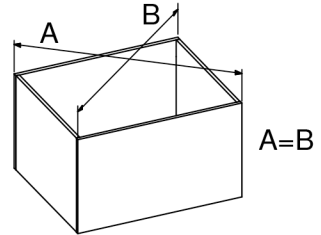
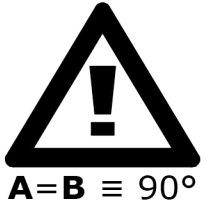
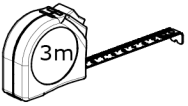
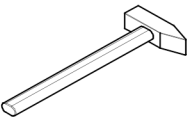
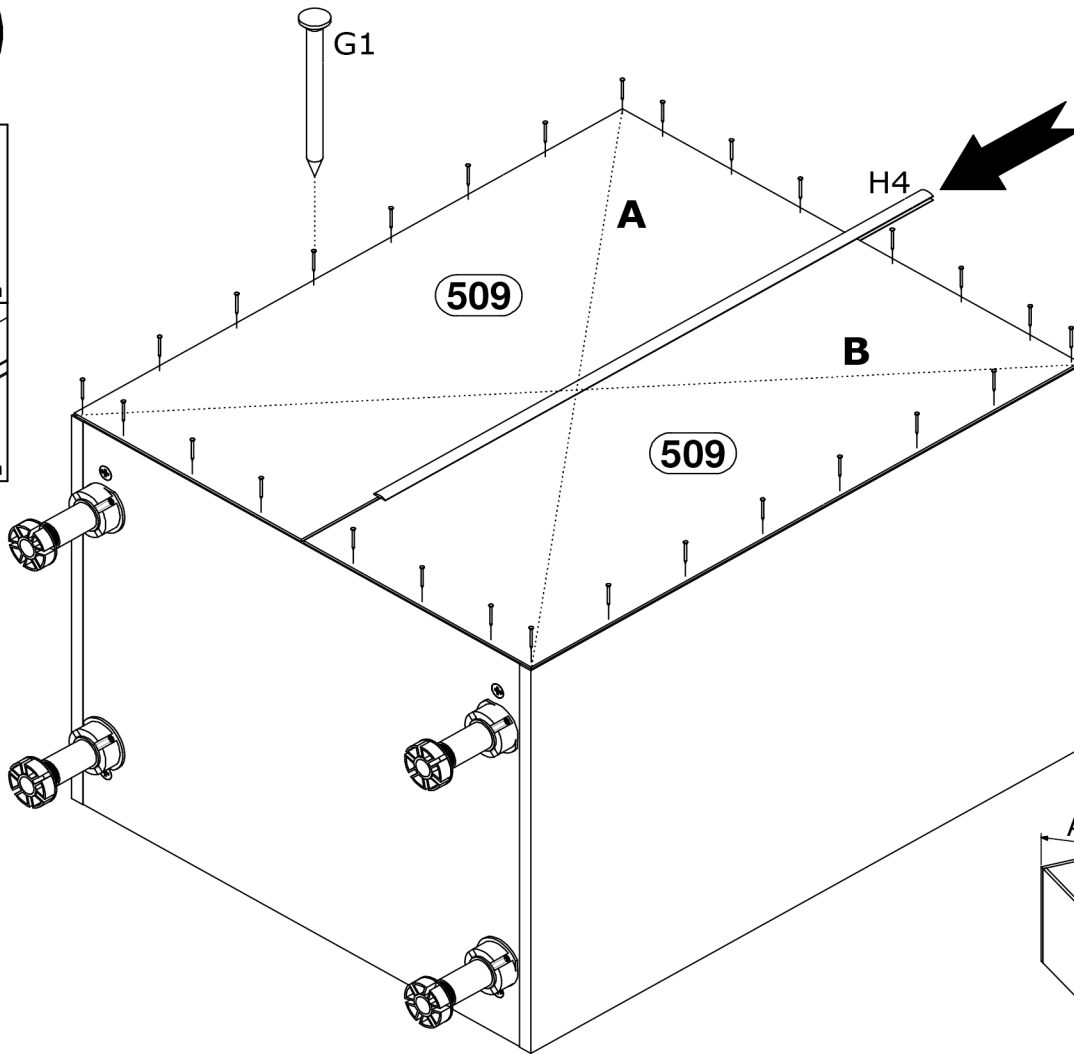


26mm

H4 x 1

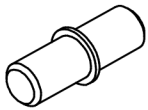


715mm

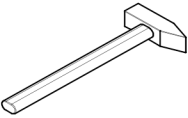
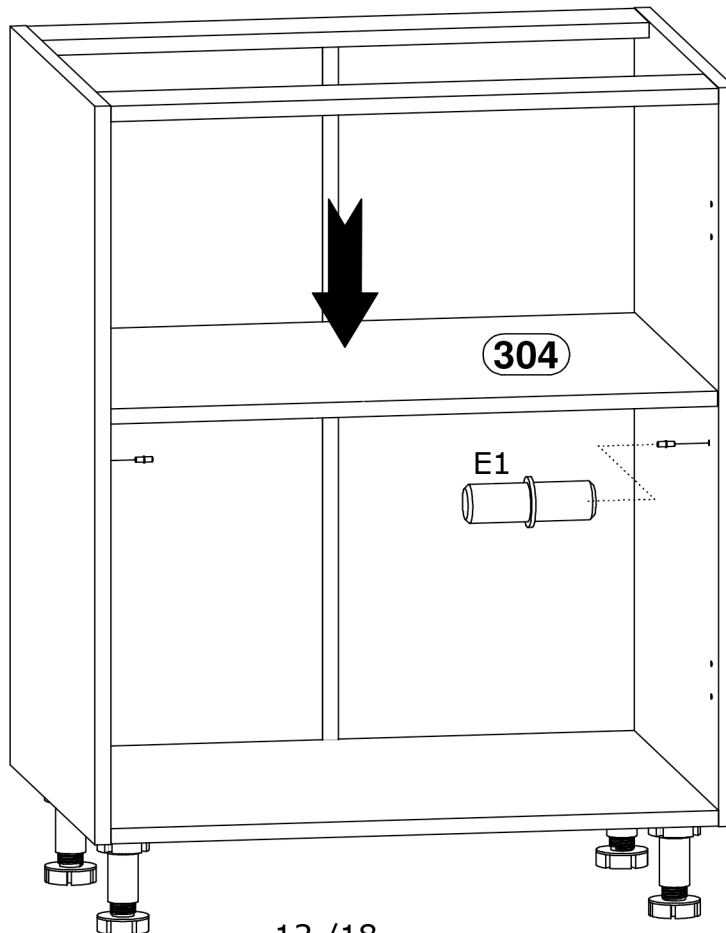


6

E1 x 4



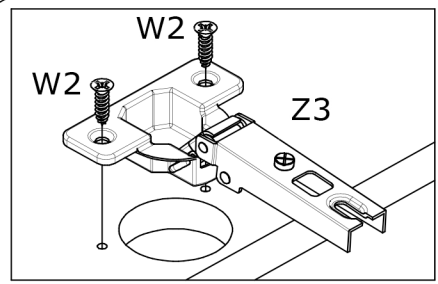
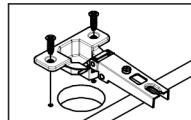
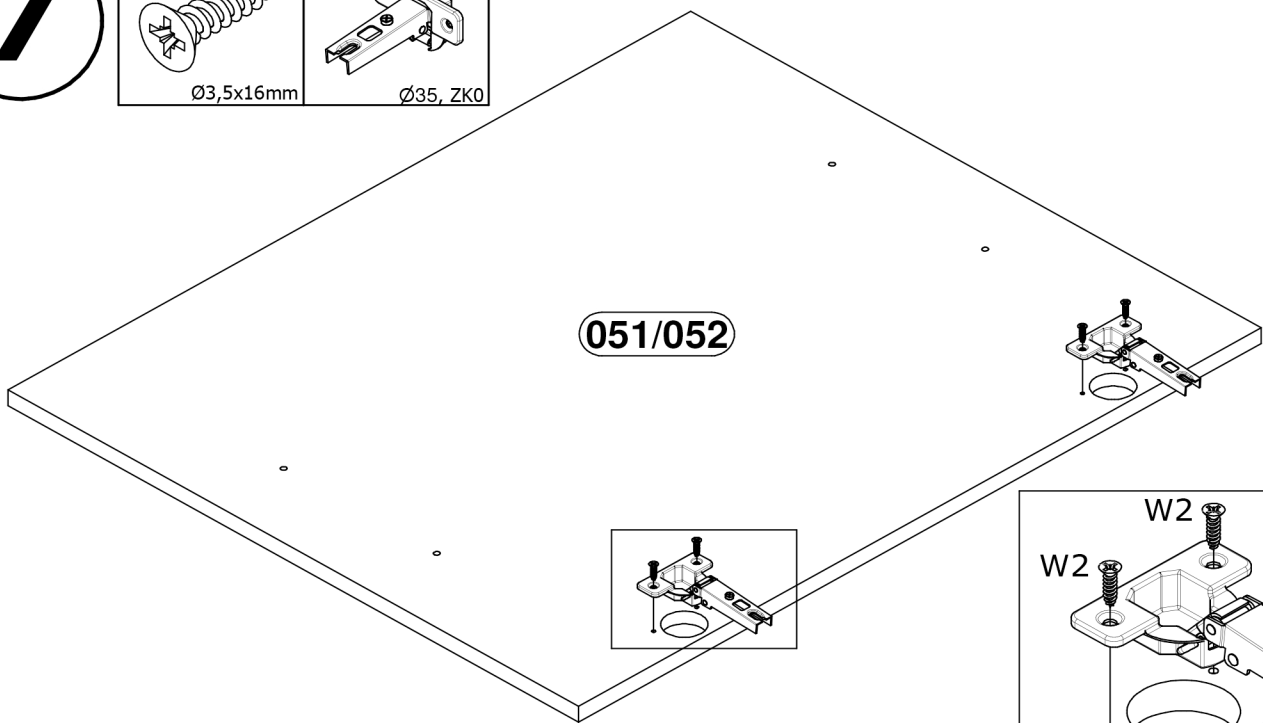
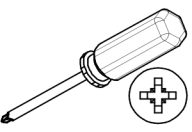
Ø5x16mm



7

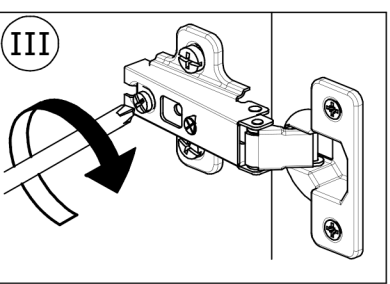
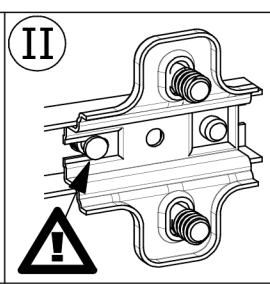
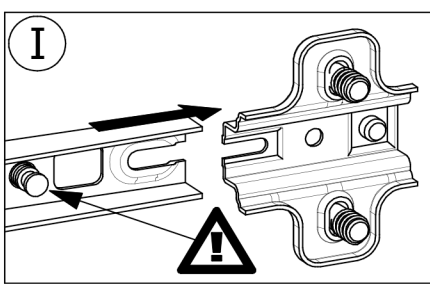
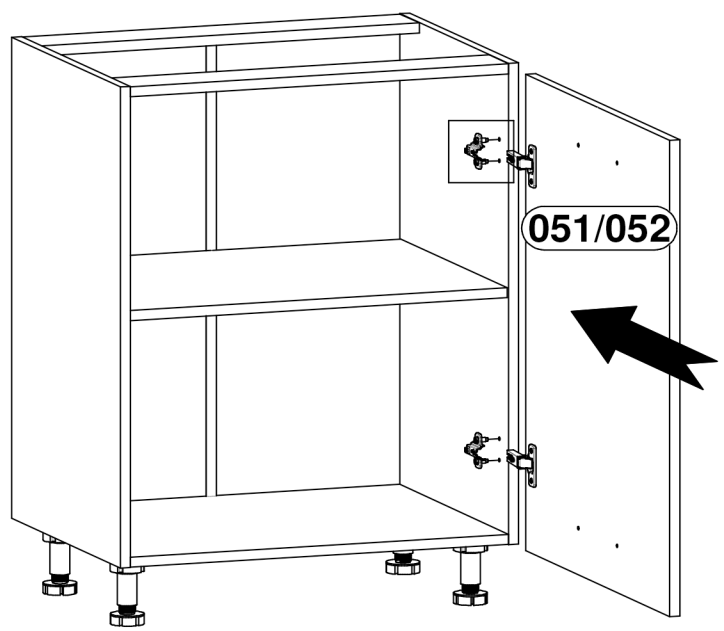
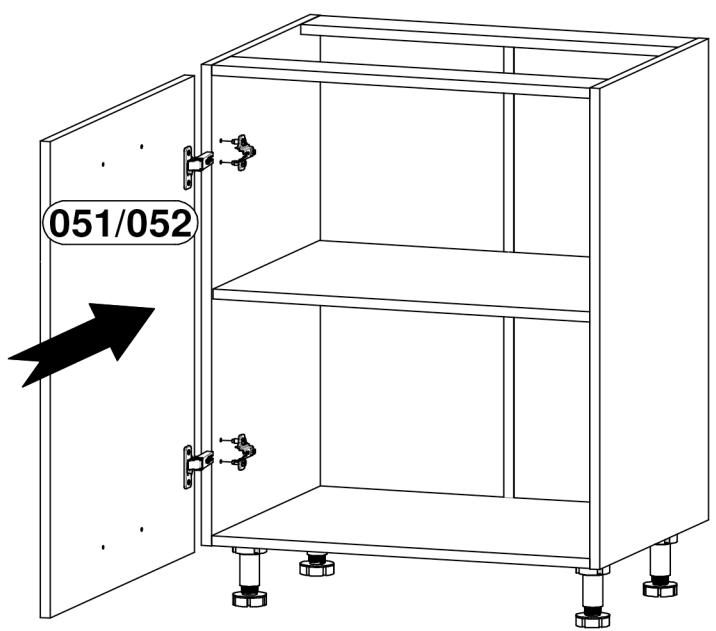
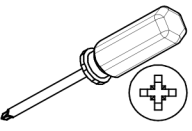
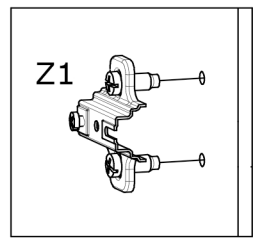
W2 x 4
Ø3,5x16mm

Z3 x 2
Ø35, ZK0

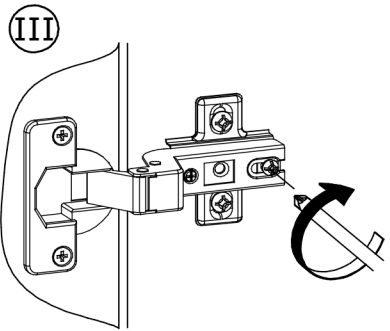
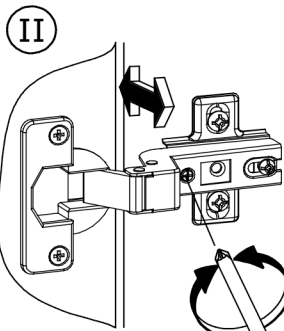
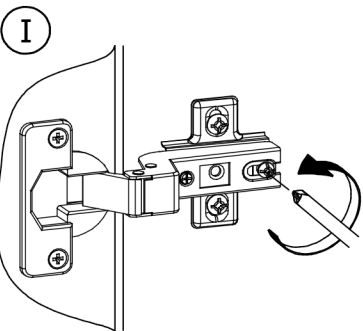
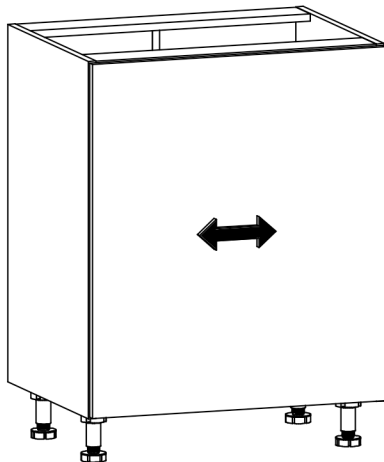
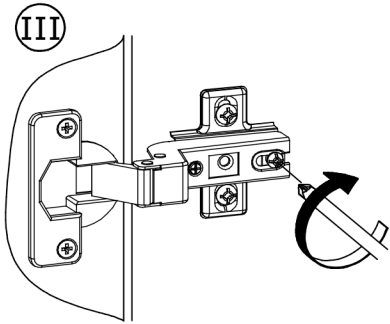
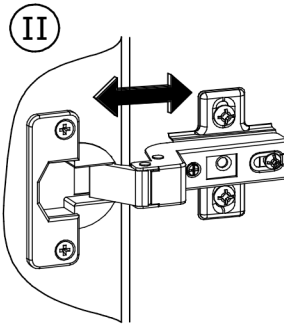
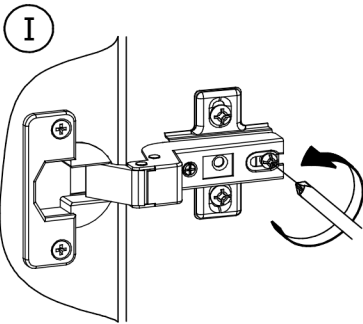
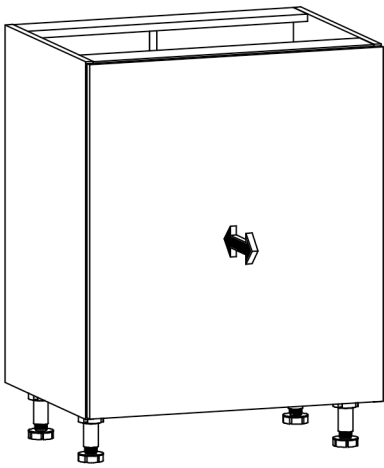
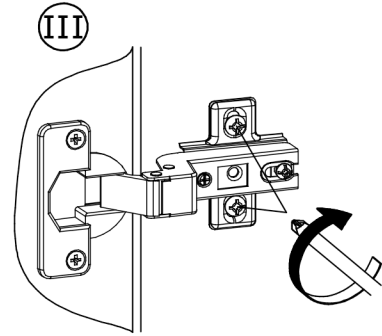
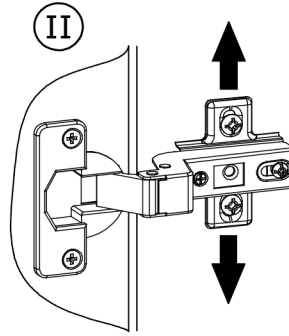
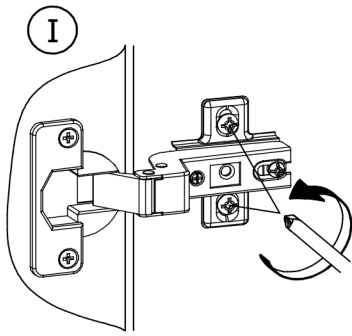
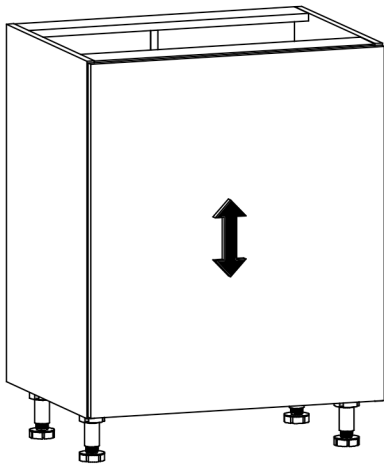
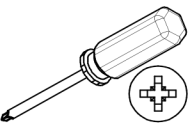


8

Z1 x 2
50x40, H=2



9



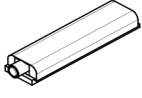
?

A

B

A

I20x

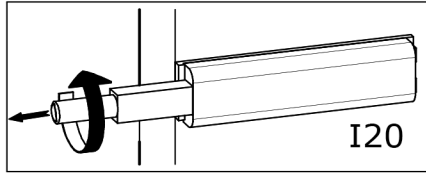


83x21x11mm

W2x



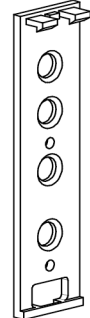
Ø3,5x16mm



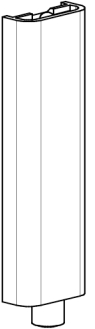
I20



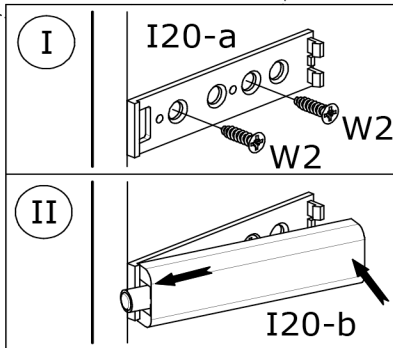
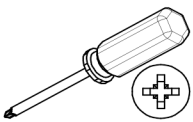
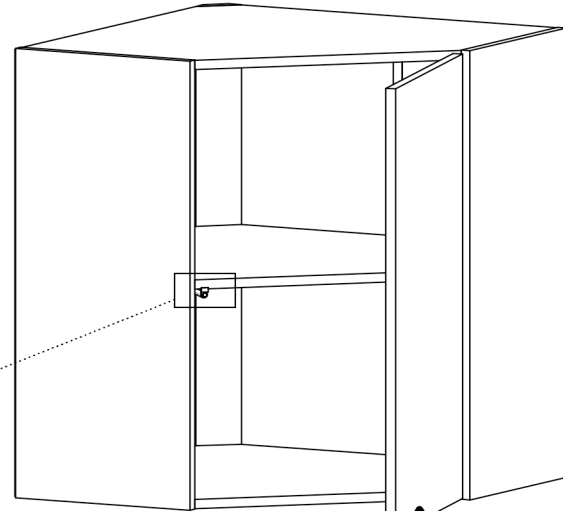
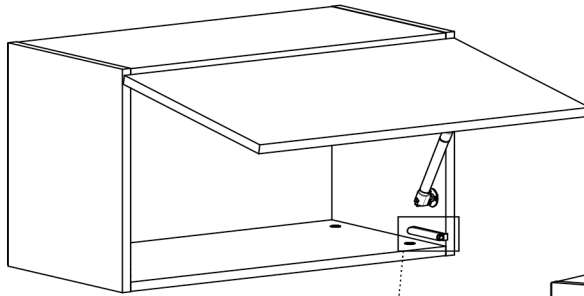
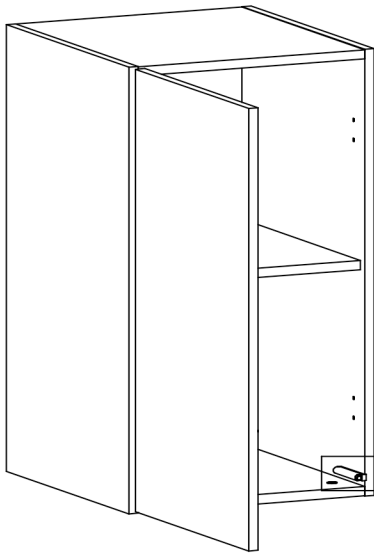
I20



I20-a



I20-b



I

I20-a

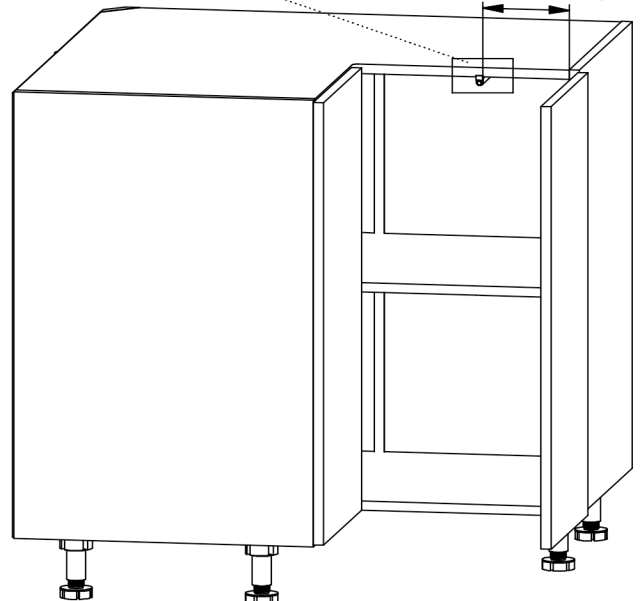
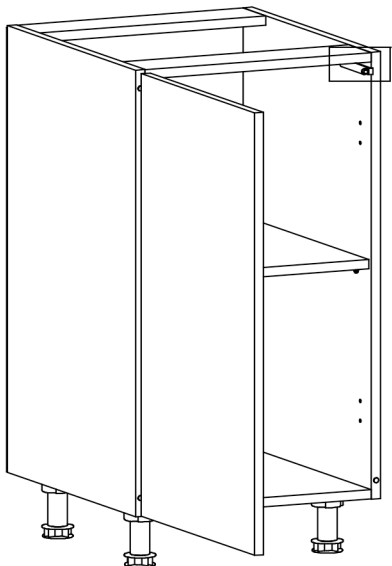
W2
W2

II

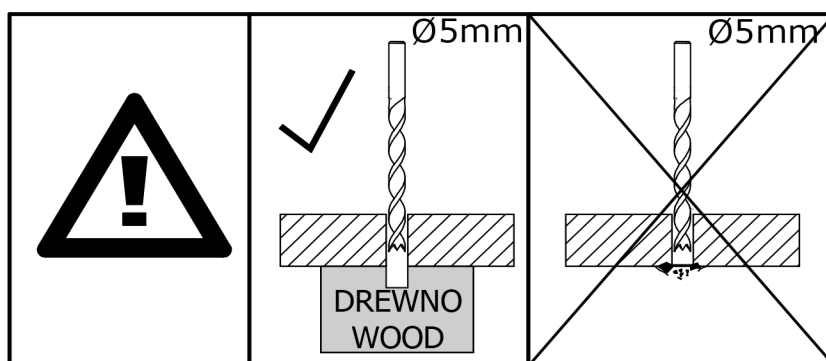
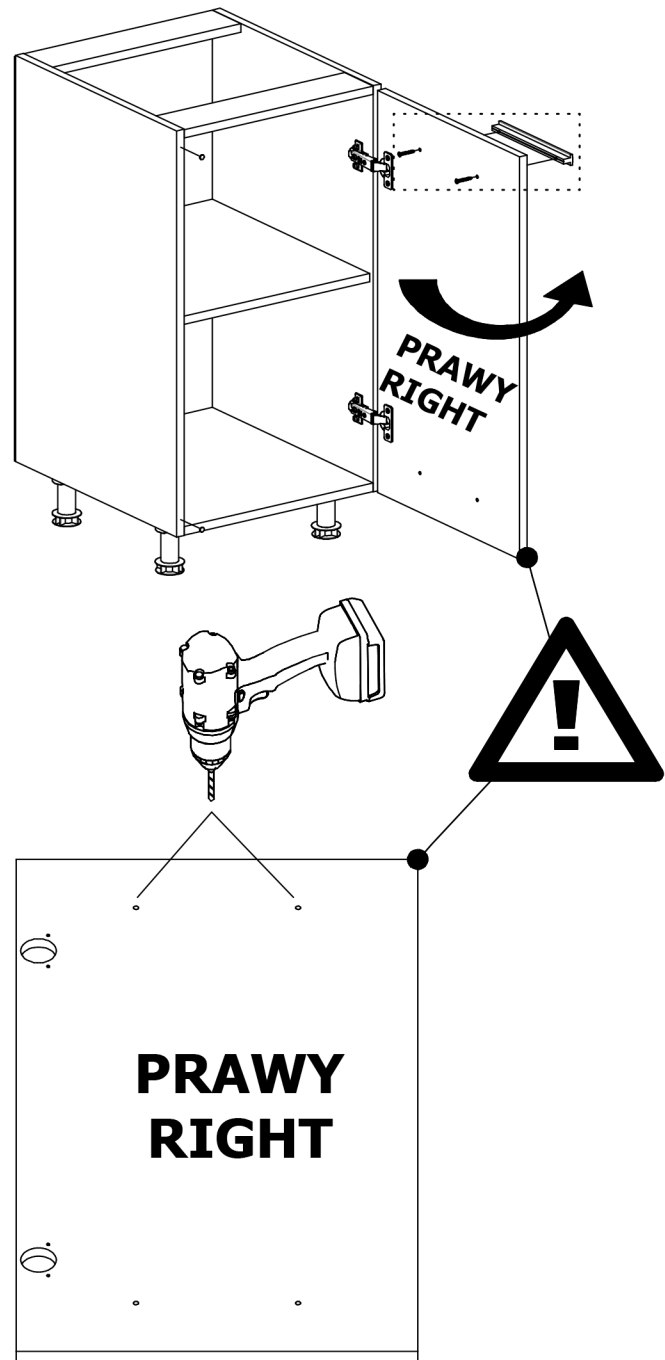
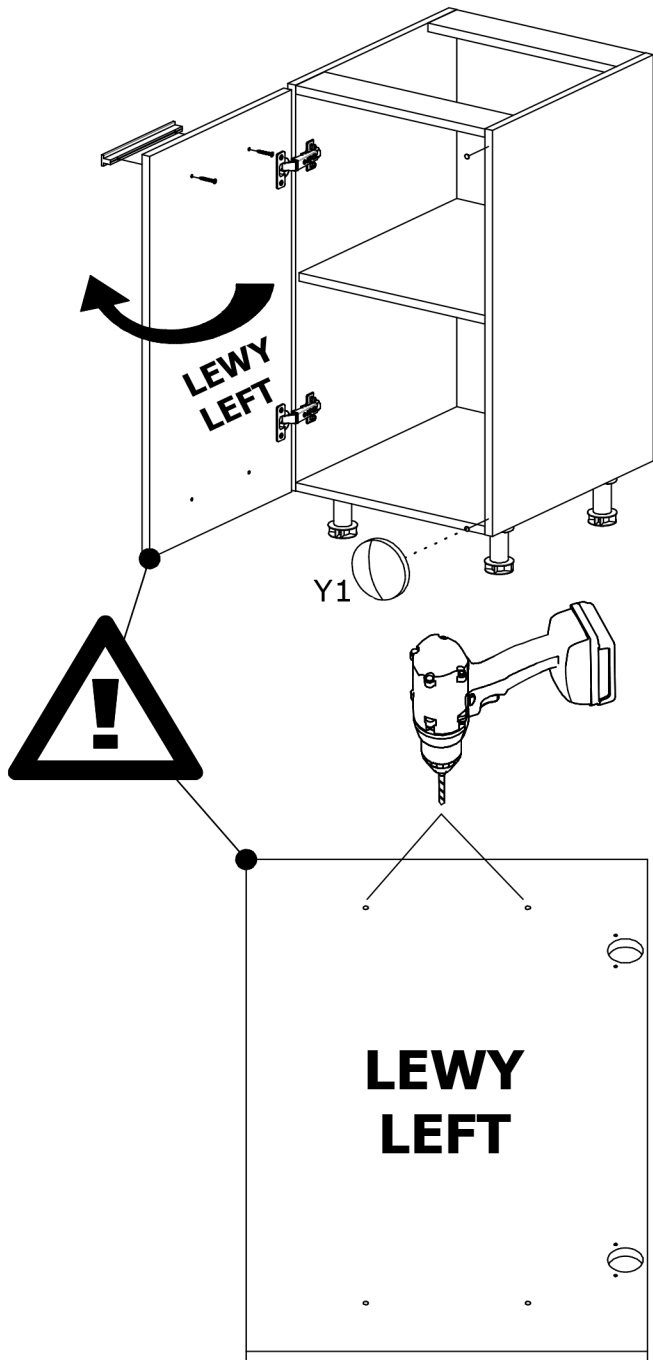
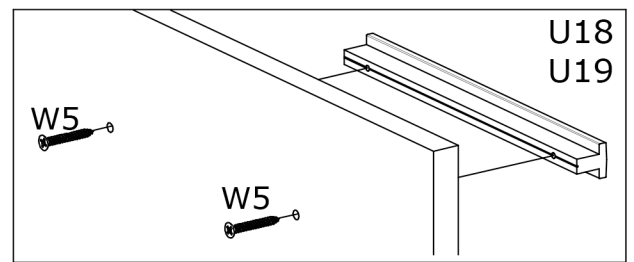
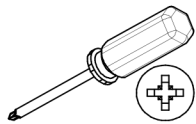
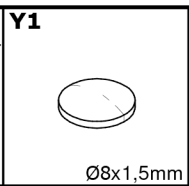
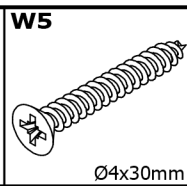
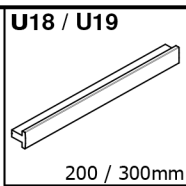
I20-b

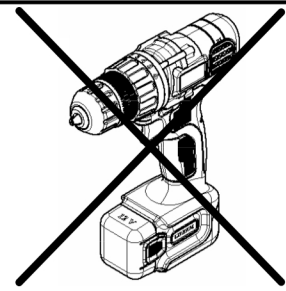
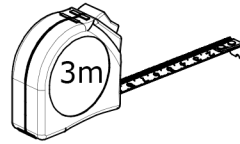
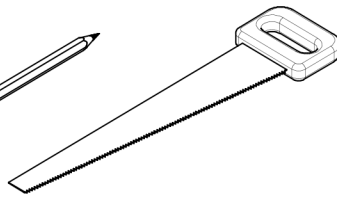
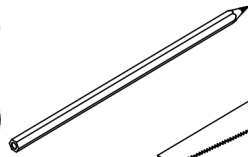
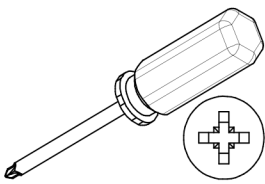


130 mm

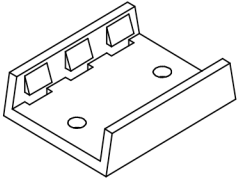


B



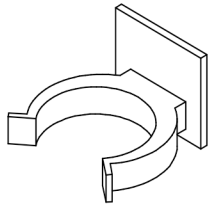


L6-ax8



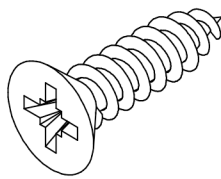
38x30x10mm

L6-bx8

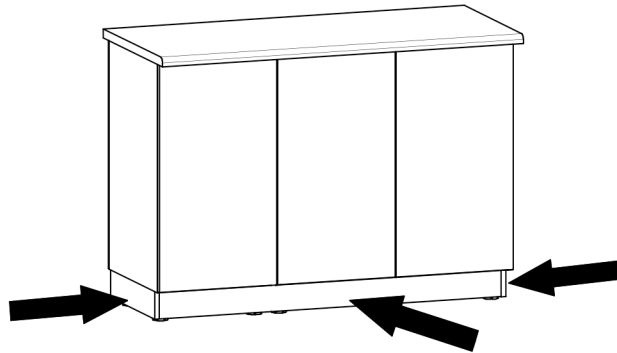
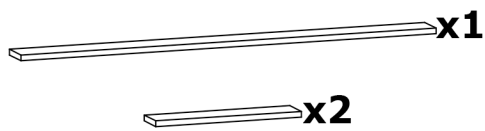


35x32x25mm

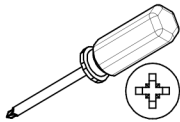
W2x16



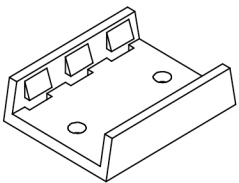
Ø3,5x16mm



C1

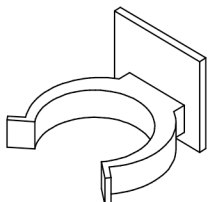


L6-ax4



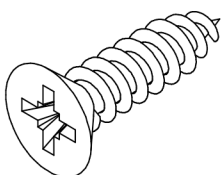
38x30x10mm

L6-bx4

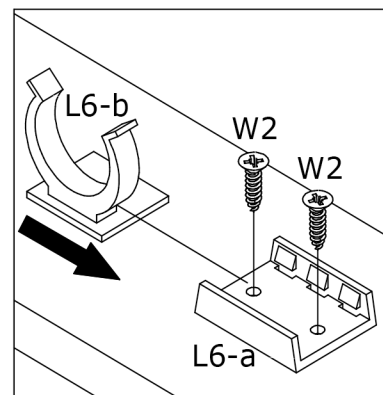
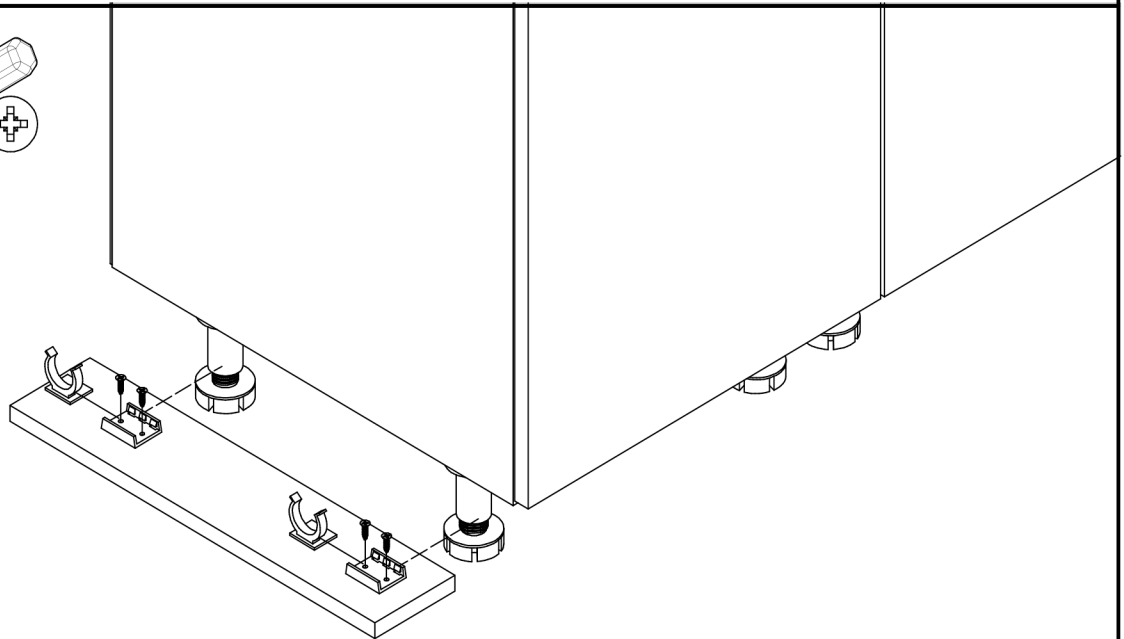


35x32x25mm

W2x8

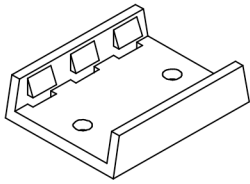


Ø3,5x16mm



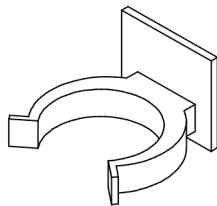
C2

L6-a x4



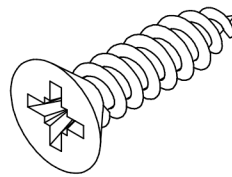
38x30x10mm

L6-b x4



35x32x25mm

W2 x8



Ø3,5x16mm

